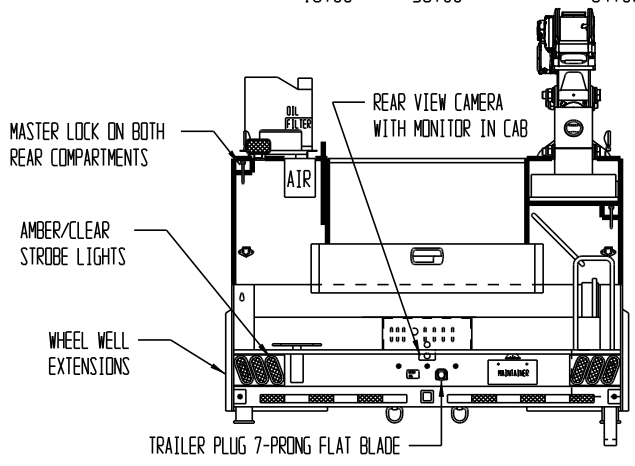
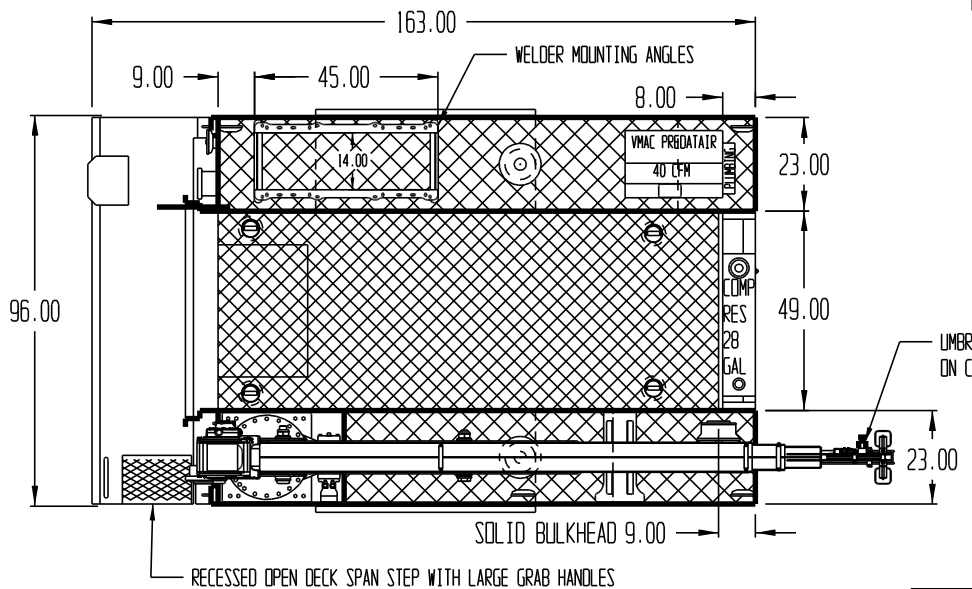
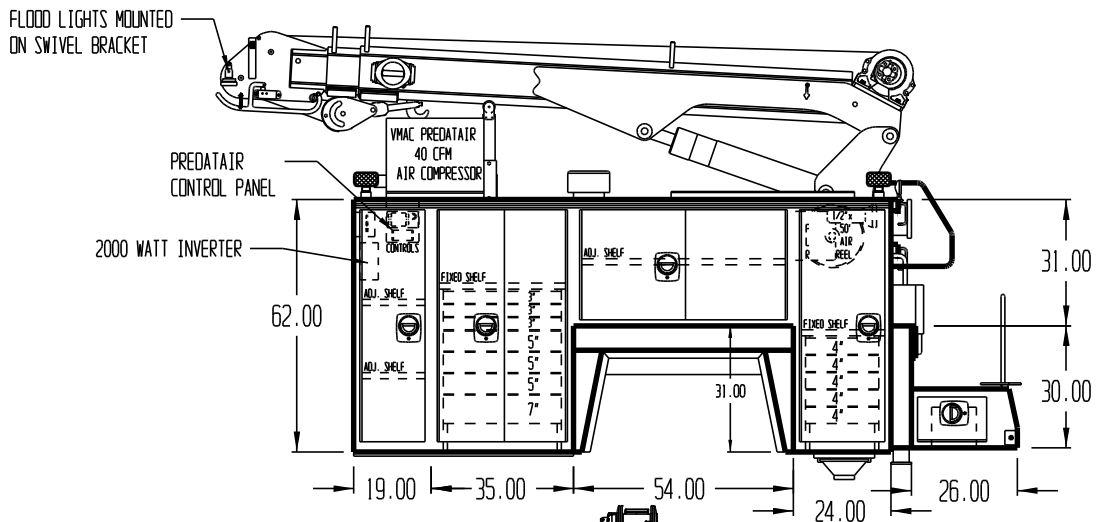
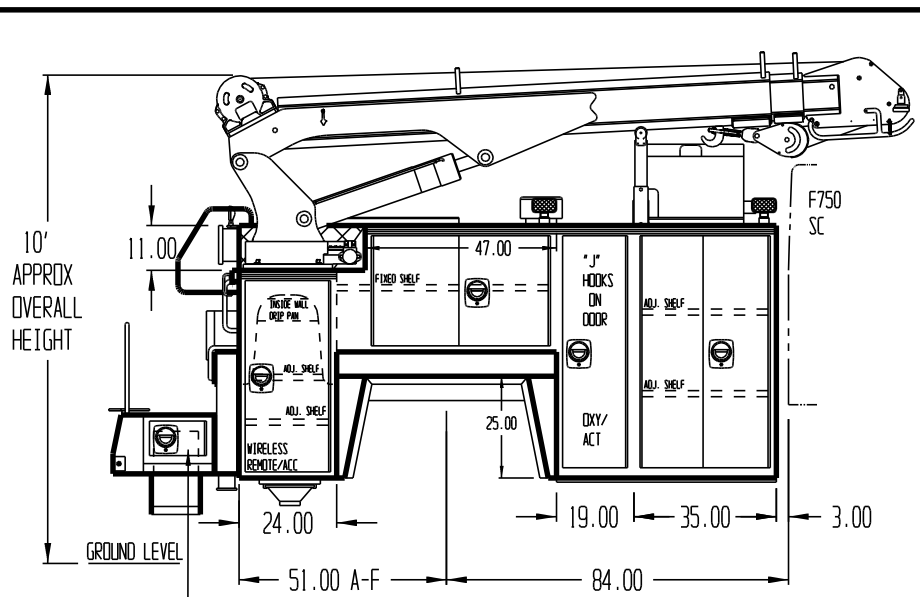


APPROVED BY: _____

DATE: _____

PAINT CODE: _____ YZ OXFORD WHITE



NOTE: L.E.D. STRIP LIGHTING SS 1, 2, 3, 4 & CS 1, 2, 3, 4 (1) BY WBB ACCESS STEP

NOTE: PROTECTIVE SPRAY, PSC LEVEL 30 COMPT. FRONTS, BOTTOM DOOR FRAMES OUTSIDE AREA OF WHEEL WELLS OUTER VERTICAL OUTRIGGER TUBES BUMPER SIDES & TOP SURFACE OF BUMPER STEP BUMPER TOP SURFACE & VERTICAL SURFACES CARGO FLOOR CARGO SIDEWALLS & FRONT BULKHEAD COMPARTMENT TOPS, TAIL GATE FRONT

HYDRAULIC EXTEND IN/OUT OUTRIGGER

NOTE: USABLE CENTER DECK CARGO WIDTH 48.50"

NOTE: 8" MAINSILL & 4" X-MEMBERS

PLEASE REPORT ANY ERRORS FOUND ON THIS PRINT

THIS PRINT CONTAINS CONFIDENTIAL INFORMATION AND IS THE SOLE PROPERTY OF MAINTAINER CORP. OF IOWA INC. AND IS NOT TO BE COPIED OR REPRODUCED WITHOUT THE EXPRESSED WRITTEN PERMISSION OF MAINTAINER CORP. OF IOWA INC.

PROPRIETARY DATA PROPERTY OF MAINTAINER CORPORATION OF IOWA, INC. COPYRIGHT © 2000

| | | | |
|------------------------------|------------------------------------|------------------------|------------------------|
| LDS DIMENSIONS ARE IN INCHES | | GENERAL TOLERANCES | |
| BREAK ALL EDGES .01 X 45° | ANGULAR ± 1° .XX ± .03 .XXX ± .005 | SCALE: 1:32 | SIZE: B |
| LDS RADIUS | LDS ANGLES | DRAWING NUMBER: 220531 | OFTM. LAG DATE: 4/5/23 |

MATERIAL:

Maintainer
Corporation of Iowa, Inc.
P.O. Box 349 1701 S. 2nd Avenue
Sheldon, Iowa 51201

MADE IN THE USA

H10025ST-2-84

GRAND TRUCK EQUIP / STOCK

NOTE: 17 GALLON AIR STORAGE MOUNTED IN FRAME